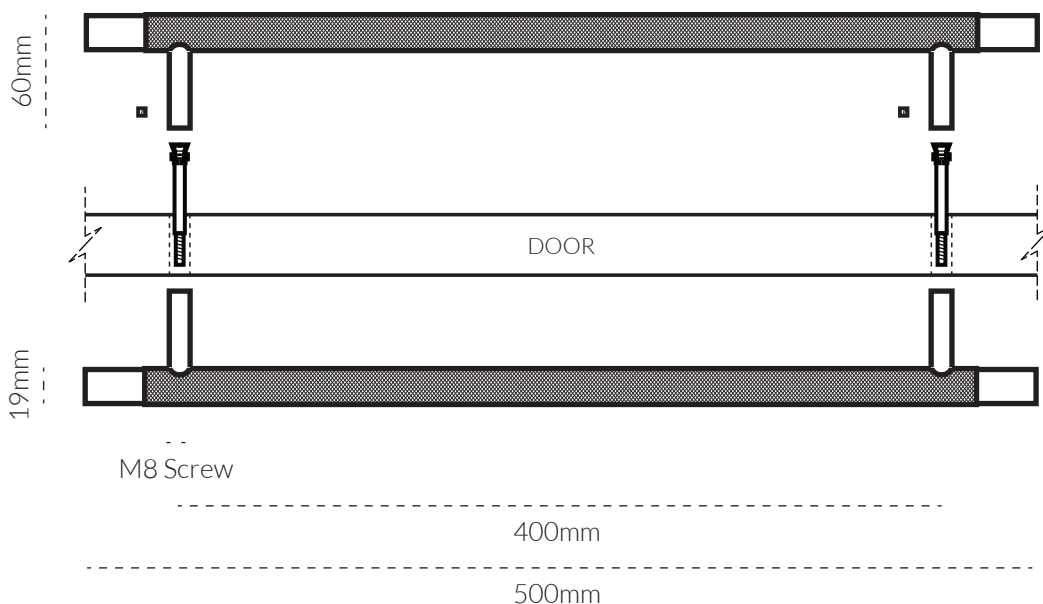

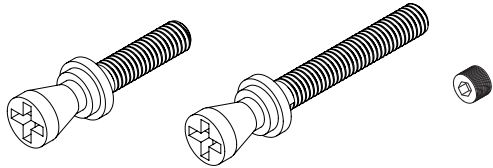







## KINTORE ENTRY PULL 500MM

### TECH SPEC

#### SPECIFICATIONS



FINISH	SKU	FIXINGS ALSO INCLUDED
 Natural Brass	<b>4041BB-US4-M8</b>	<ul style="list-style-type: none"> <li>- 2x M8 * 40mm Back-to-Back Screw</li> <li>- 2x M8 * 70mm Back-to-Back Screw</li> <li>- 2x M4 Grub Screw</li> </ul> 
 Aged Brass	<b>4041BB-AB-M8</b>	
 Bronze	<b>4041BB-BR-M8</b>	
 Brushed Nickel	<b>4041BB-BN-M8</b>	
 Matte Black	<b>4041BB-US19-M8</b>	
 Matte White	<b>4041BB-W-M8</b>	

#### CARE INSTRUCTIONS

Wipe with damp cloth and avoid using any chemicals.